

ASSEMBLY INSTRUCTION

TB-004RF

4-FOOT ROUND TABLE

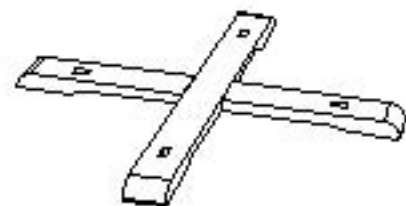


fig 1.

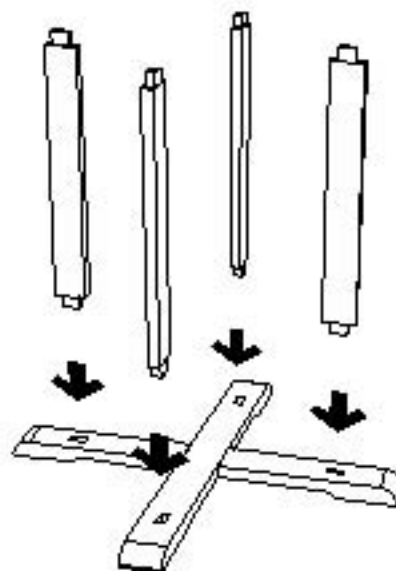


fig 2.

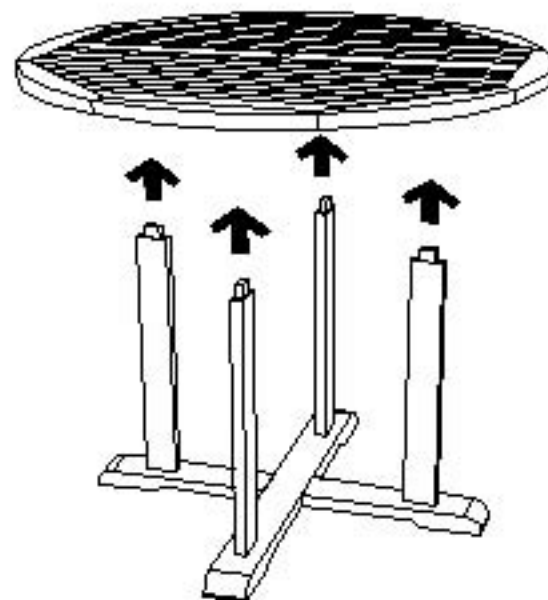


fig 3.

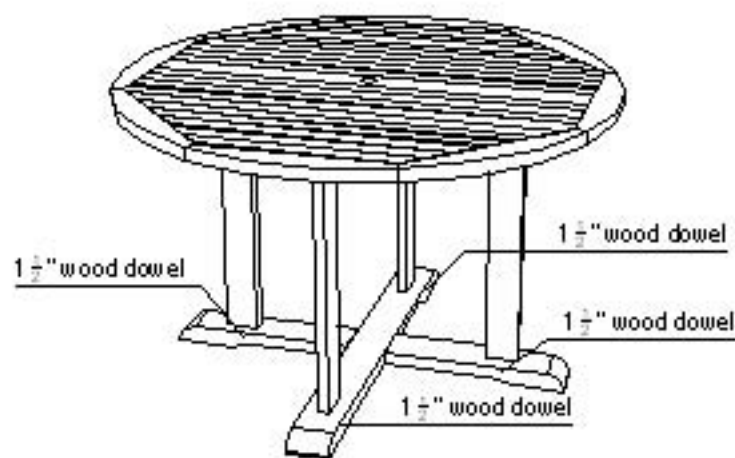


fig 4.

Parts : 4 pcs legs, 1 pc top table
1 pc bottom leg

Hardware packs

► wood dowels for top & bottom of legs

Tools requirement :

► hammer (not supplied)

Assembling

1. Prepare the bottom leg. (Fig. 1)
2. Put some glue into the leg's mortises.
3. Insert the legs. (Fig 2)
4. Insert the legs into top table. (Fig 3)
5. Put some glue around the wood dowels and insert it into top and bottom of legs.
6. Clean the glue rest using a damp cloth.