

# ASSEMBLY INSTRUCTION

TBF-O47R

47" ROUND FOLDING TABLE

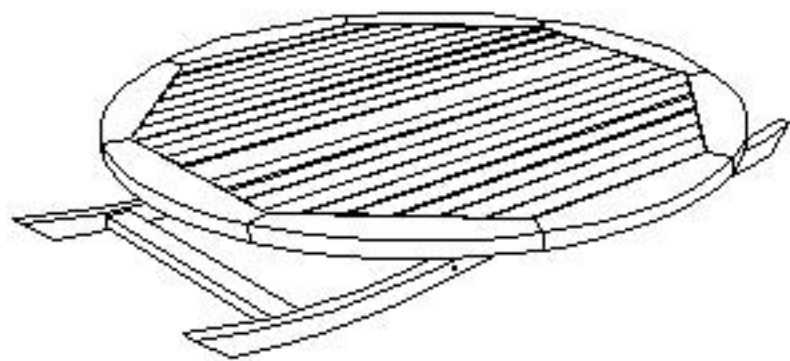


fig 1.

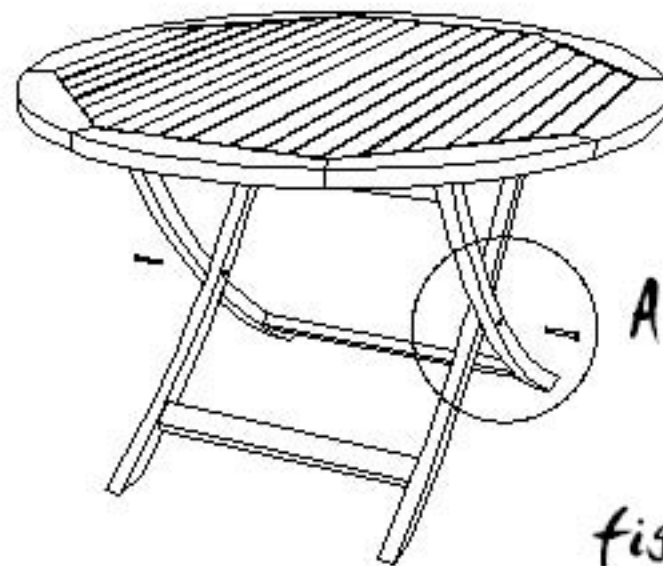


fig 2.

Detail A

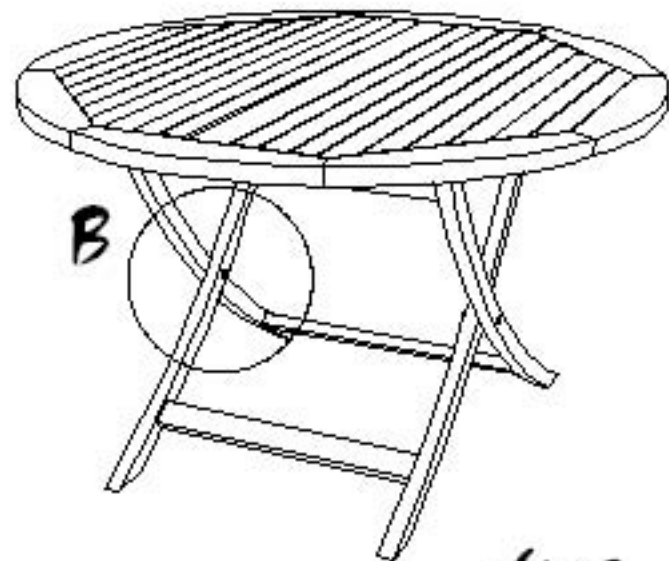
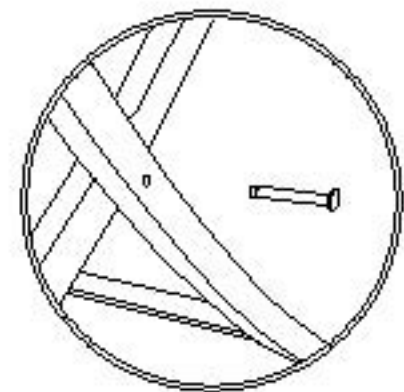
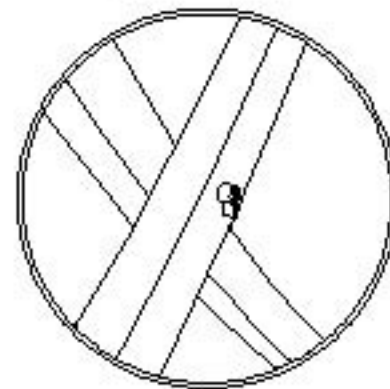


fig 3.

Detail B



Parts : 1 pc table

Hardware packs  
▶ brass fittings for legs

Tools requirement : --

Assembling

1. Prepare the table. ( Fig. 1 )
2. Line the hole together before inserting the brass fitting. ( Fig. 2 - Detail A )
3. Bend the edge. ( Fig. 3 - Detail B )